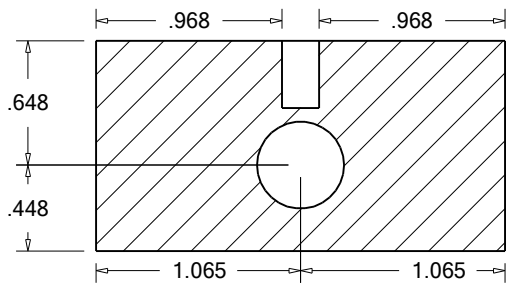
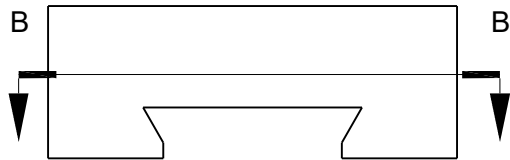
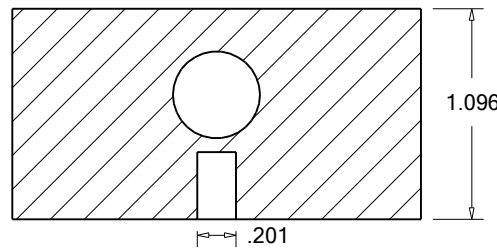
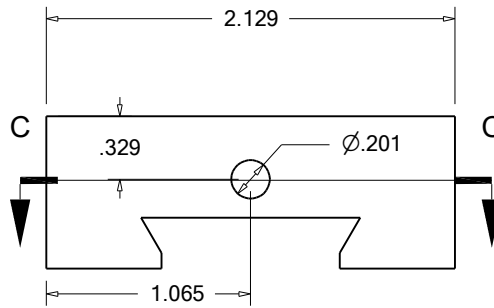


.201 hole tapped 1/4-20.
.453 hole tapped 1/2-20.

Section A-A



Section B-B



Section C-C

