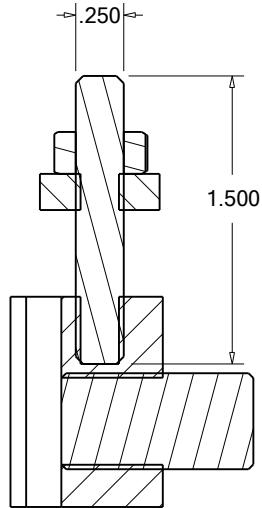
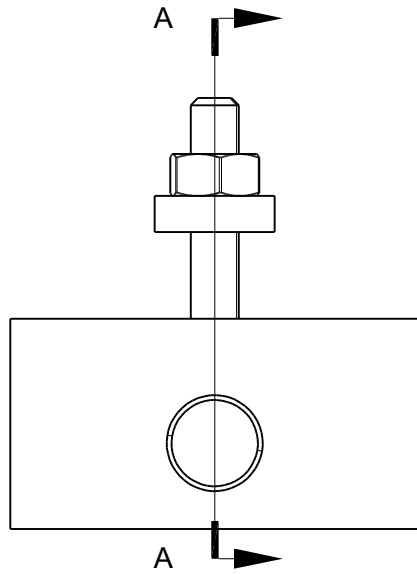
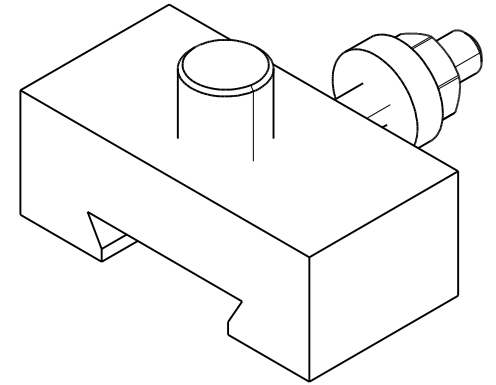
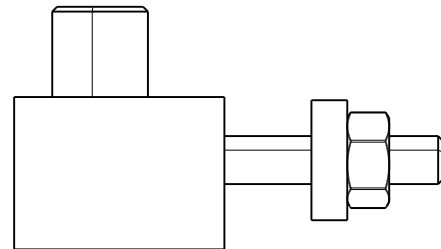
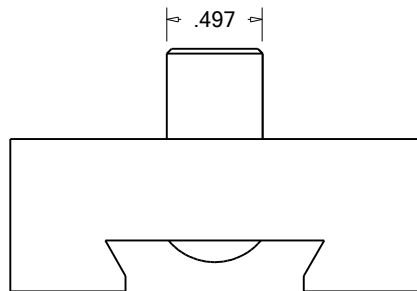


Item Number	Quantity	Part Number	Part Name	Revision	Comment
1	1		Qctp_250_Chuck		
2	1		1_4-20_by5_8dia_KnurlKnob		
3	1	1-4-20_1.5_AllThread	1-4-20_1.5_AllThread		
4	1	1-4-20_Hex Nut_NT	1-4-20_Hex Nut_NT		
5	1	1-2_20_NT_AllThread	1-2_20_NT_AllThread		



Section A-A



QCTP_250
QCTP_250_Chuck
12/16/2024 JR