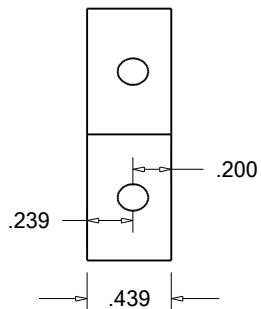
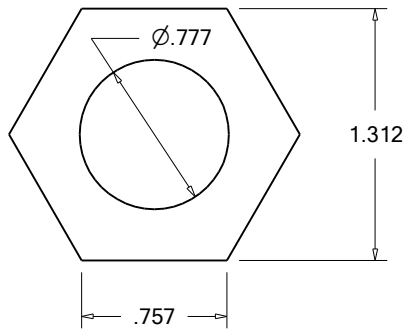
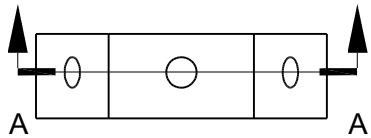


Section A-A



Designed for 125mm import chuck.  
Make 3 each for a complete set.  
All .159 holes tapped 10-32.  
Only one setscrew is required.  
6 corners allow for 6 different holding diameters.