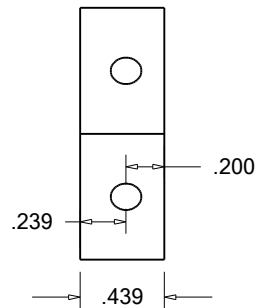
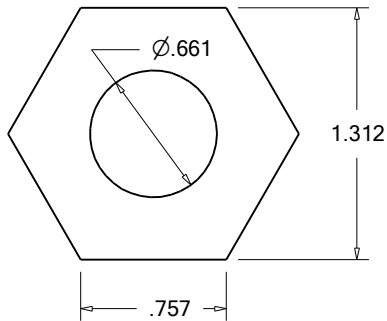
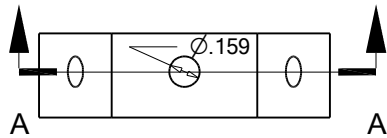
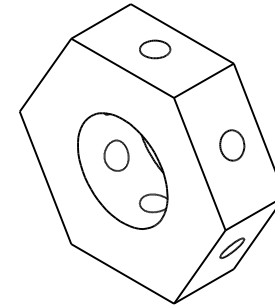


Section A-A



Designed for 100mm import chuck.
Make 3 each for a complete set.
All $.159$ holes tapped 10-32.
Only one setscrew is required.
6 corners allow for 6 different holding diameters.