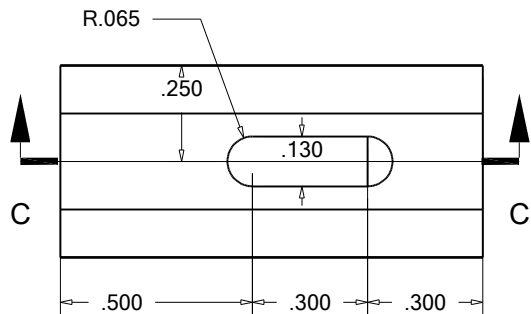
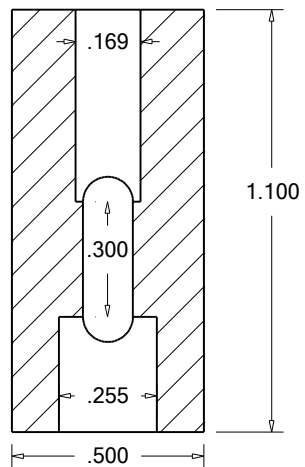


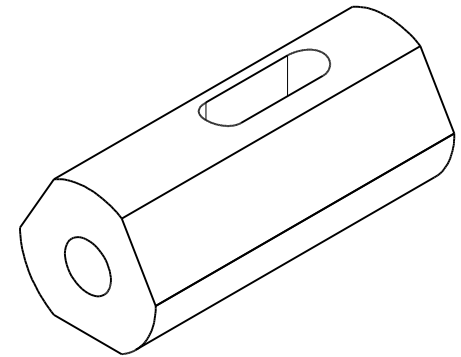
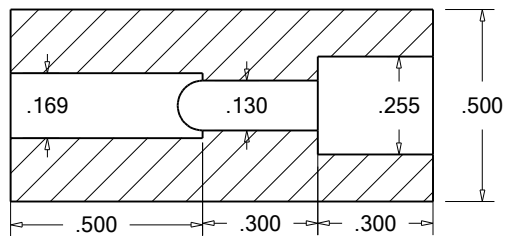
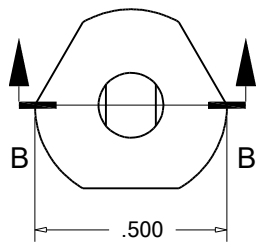
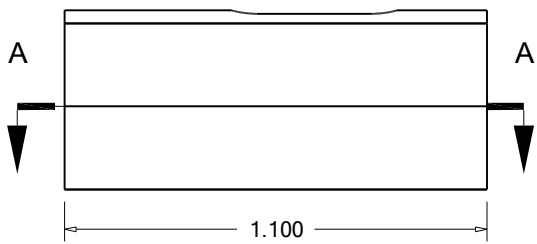
Section C-C



Section A-A



Section B-B



TapHolder
8-32 Tap Holder V1
11/21/2024 JR