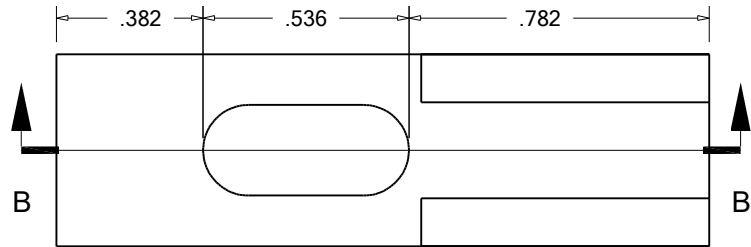
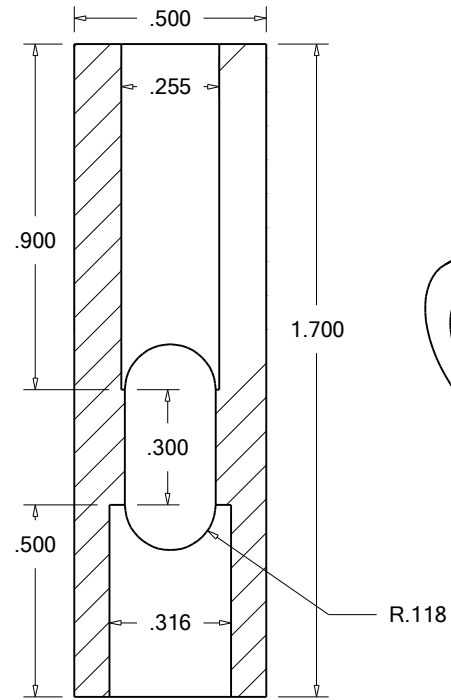


Section B-B

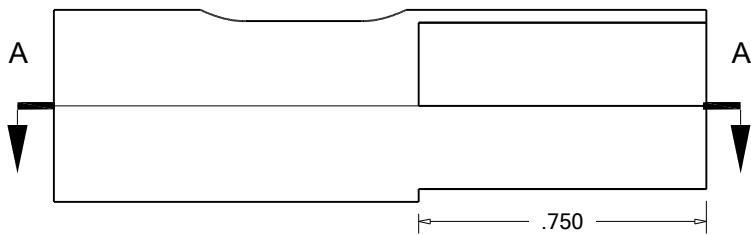
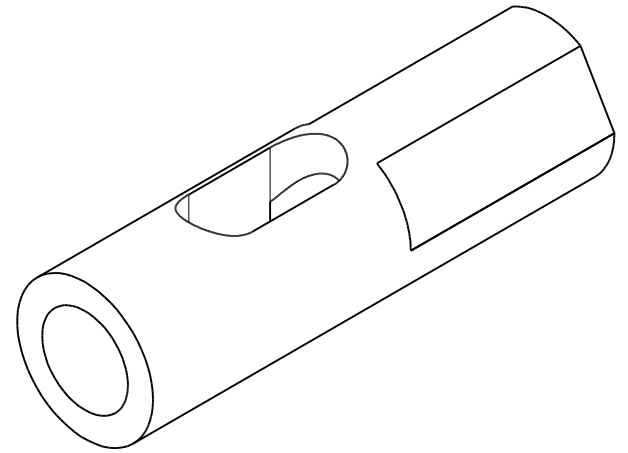


B

B

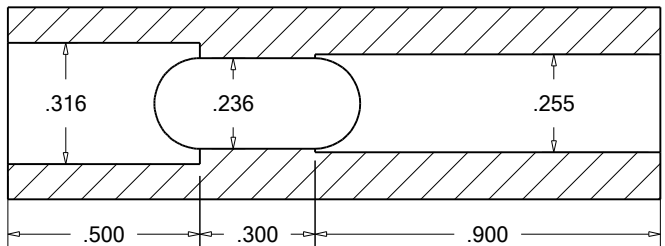


Section C-C

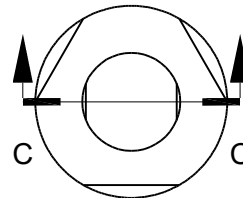


A

A



Section A-A



C

C

TapHolder	
5-16_TapHolder	
11/23/2024	JR