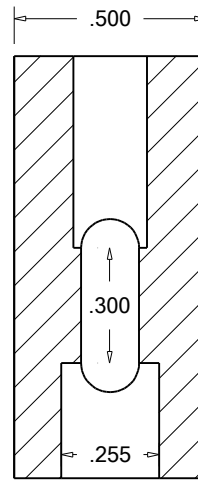
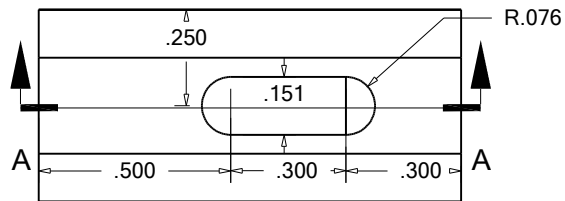
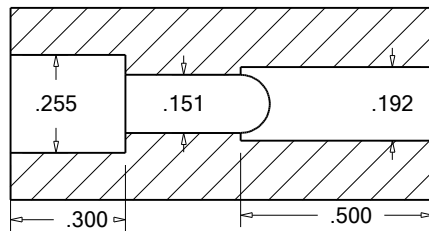
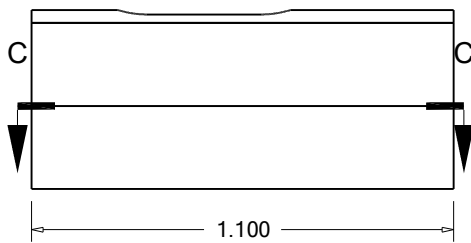
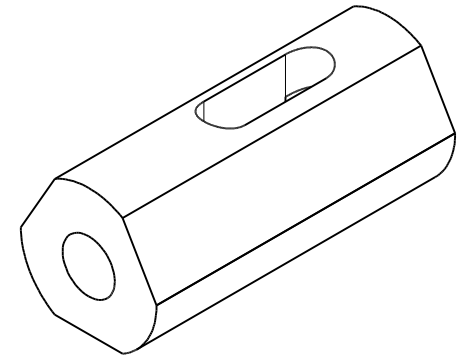


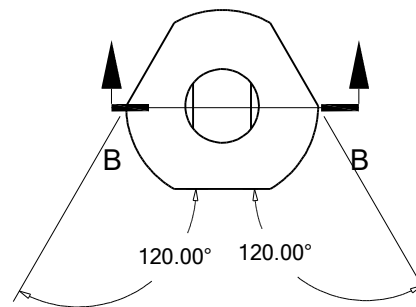
Section A-A



Section B-B



Section C-C



TapHolder
10-32_V3
11/21/2024 JR