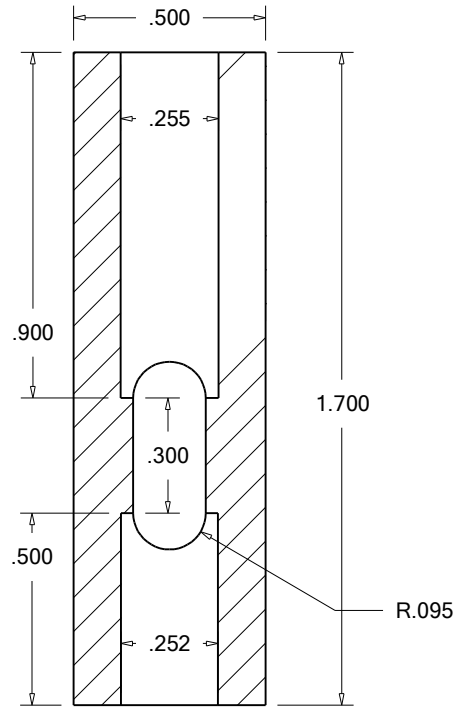
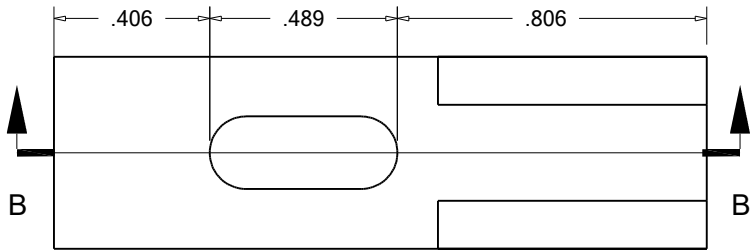
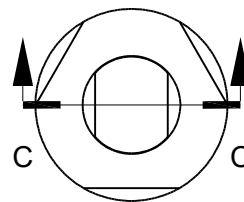
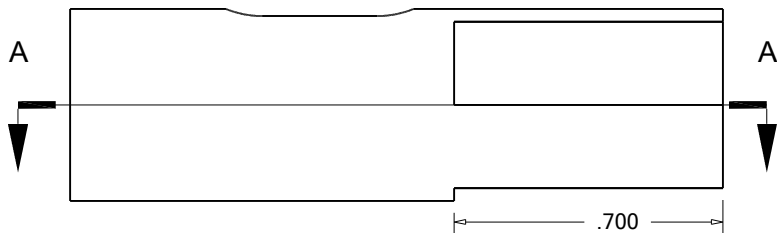
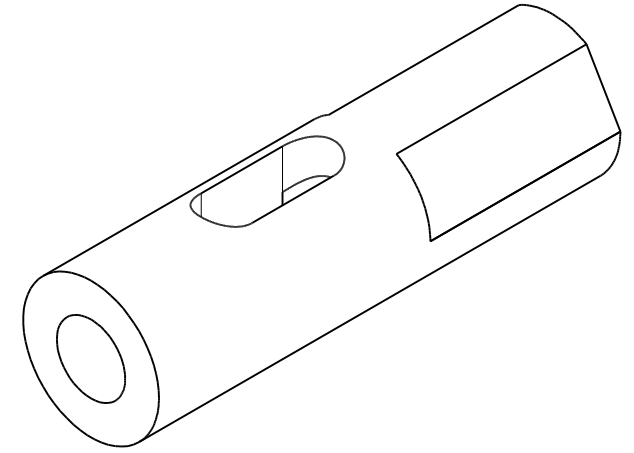


Section B-B

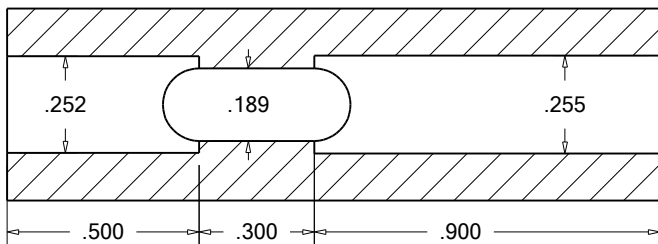


Section C-C



Note: Your tap shank diameter may differ so the exact diameter of the tap shank hole and the width of the slot may differ.

Drill the .189 drill thru the entire part as the first step. Use the closest drill available then use an emery rod or reamer to bring the hole to exact dimensions.



Section A-A

TapHolder
1/4-20 Tap Holder V2
12/24/2024   JR